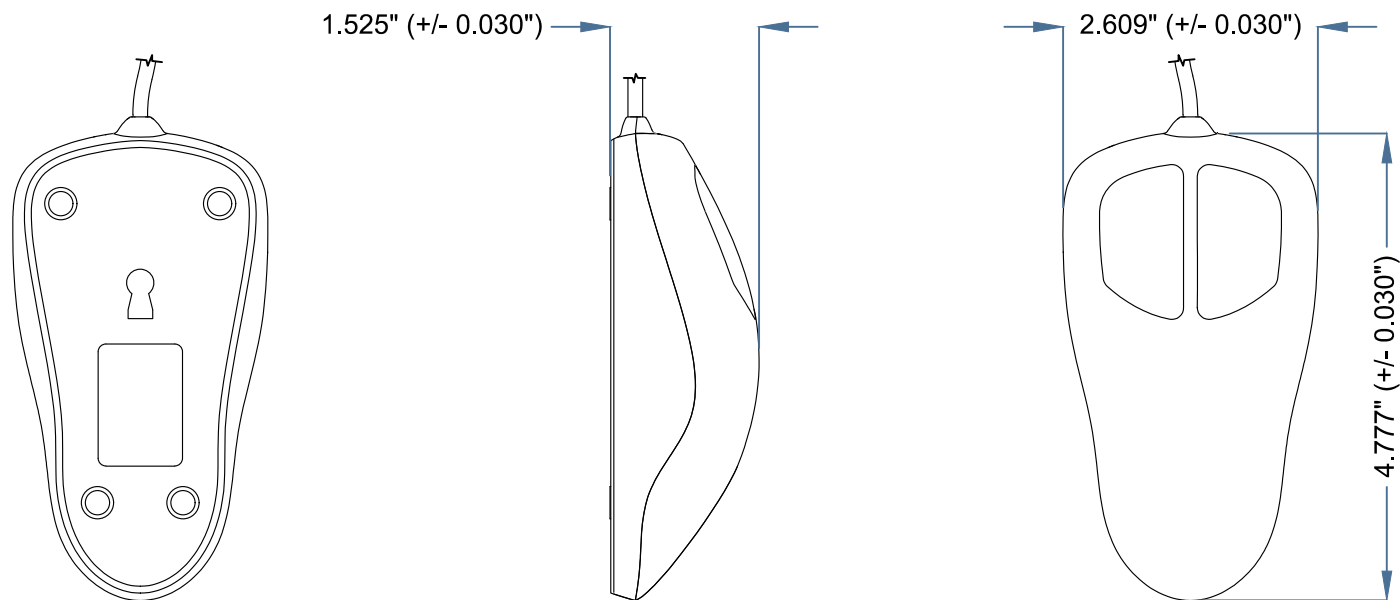


Stealthmouse



KEY SWITCH

MATERIAL: Industrial Silicone Rubber
LIFE: Greater Than 10 Million Cycles
TRAVEL: 0.055 in.
ACTUATION FORCE: 6.35 oz. +/- 1.06oz (180g +/- 30g)
FEEDBACK: Tactile with Mechanical Snap

POWER

USB: 5V @ 50mA

TEMPERATURE RANGE

STORAGE: -40°F to +194°F (-40°C to +90°C)
OPERATING: -40°F to +140°F (-40°C to +60°C)

FLAMMABILITY

PRINTED CIRCUIT BOARD: 94V0
SILICONE OVERLAY: 94HB
INTERFACE CABLE: 94V0

VIBRATION

POWER SPECTRAL DENSITY: .04g/HZ
FREQUENCY RANGE: 20Hz-2Khz
DURATION OF TEST PER AXIS: 3 hours

SHOCK

3 X 11 ms pulses of 50g on each of 3 axis

HUMIDITY

100% Humidity Resistant